

# AXLE SPINDLE

## TAPERED SPINDLE



### INSTRUCTION MANUAL



**IMPORTANT: READ CAREFULLY BEFORE USE**

TOLL FREE: +1-877-486-7668 USA: +1-716-336-4734

## Responsibilities:

- a. User must have access to the necessary tools and equipment required for the installation.
- b. User has a full understanding of mechanical systems and is familiar with spindle installations.
- c. User has the necessary skills and experience to operate machine tools and perform tasks such as cutting, grinding, and welding.

## Cautions:

### Identification of Inherent Hazards:

- a. Fire Hazard: The cutting and welding operations involve the use of heat, which can potentially cause fire. The presence of flammable materials nearby increases the risk. Sparks and hot metal fragments can also pose a fire hazard.
- b. Eye and Skin Hazards: The cutting and welding operations generate sparks, debris, and intense light that can cause eye and skin injuries. Proper eye and skin protection are essential to minimize these risks.
- c. Inhalation Hazard: The cutting, brushing, and welding operations release fumes and gases that can be harmful if inhaled. Adequate ventilation or the use of respiratory protection is necessary to prevent respiratory issues.

### Safety Precautions:

- a. Always wear appropriate personal protective equipment (PPE) such as safety glasses, welding helmet, gloves, and protective clothing when using cutting, grinding, and welding tools.
- b. Ensure proper ventilation in the work area to prevent the accumulation of hazardous fumes or gases produced during the welding process.
- c. Use fire-resistant materials or protective covers to shield nearby flammable objects or surfaces from sparks or heat generated during the welding process.  
Keep a fire extinguisher or other fire suppression equipment readily available in case of emergencies.

### Cutting and Grinding:

- a. Follow the manufacturer's instructions for the safe and proper use of cutting and grinding tools.
- b. Ensure the workpiece is securely clamped or fixed in a stable position before performing any cutting or grinding operations.
- c. Maintain a steady hand and use appropriate pressure when using these tools to prevent slipping or loss of control.
- d. Avoid excessive force or aggressive movements that could cause the tool to bind or kick-back, leading to potential injuries.

### Machine Tool/equipment Handling:

- a. Only operate the machine tools if you have proper understanding of their operation.
- b. Ensure the machine tools are in good working condition, with all guards and safety features in place.
- c. Follow all safety guidelines and recommendations provided by the machine tool/equipment manufacturer.
- d. Regularly inspect the machine tools for any signs of damage or wear and address any issues before use.

### Flame Heating and Welding:

- a. Exercise extreme caution when using a welding torch. Follow proper welding techniques and safety guidelines.
- b. Only perform welding in a well-ventilated area and away from flammable materials or gases.
- c. Ensure the work area is clear of any combustible materials that could ignite during the welding process.
- d. Use appropriate welding techniques and materials suitable for the axle and spindle installation to ensure structural integrity and safety.

### Emergency Procedures:

- a. Fire Emergency:
  - If a fire occurs, immediately stop all operations and evacuate the area.
  - Use the fire extinguisher or other appropriate fire suppression methods.
  - Call emergency services if necessary.
- b. Injury or Accident:
  - Have a first aid kit available and ensure that personnel are trained in first aid procedures.

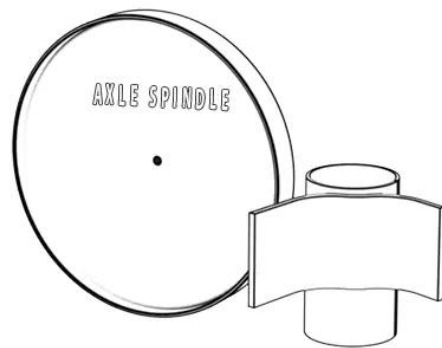
### Limitations and Restrictions:

- a. Only capable person should perform the cutting, welding, and installation procedures.
- b. Individuals without proper knowledge should not attempt these operations.

# PACKAGE CONTENTS

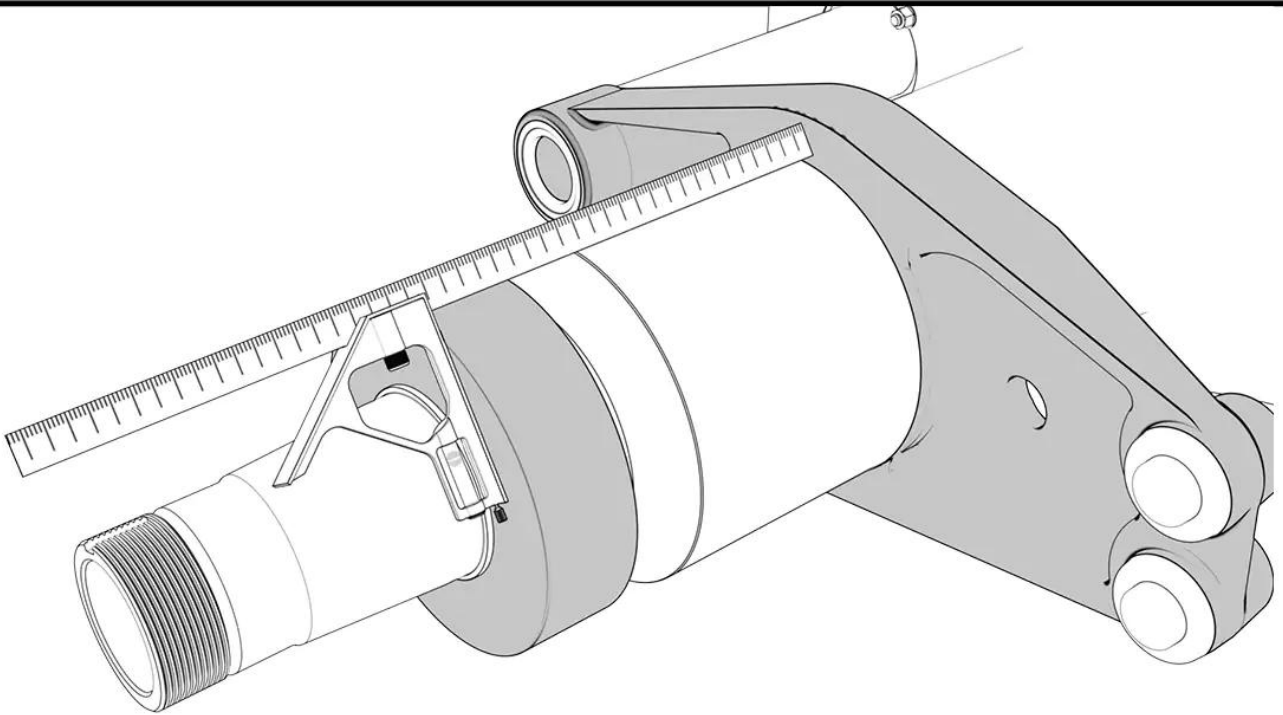


Tapered Spindle



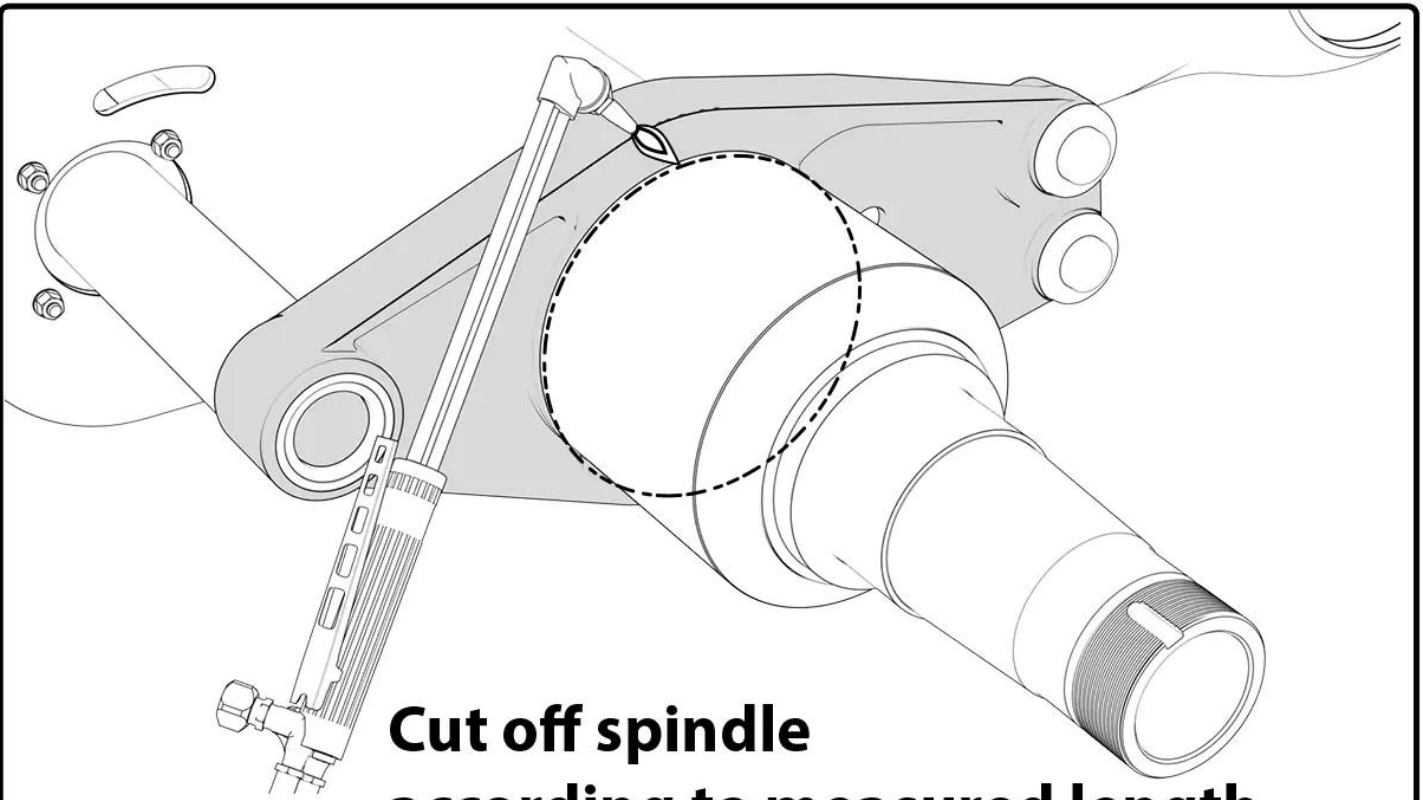
Plug and ABS mount

**1**



**Identify spindle and measure length  
using guide tool**

**2**

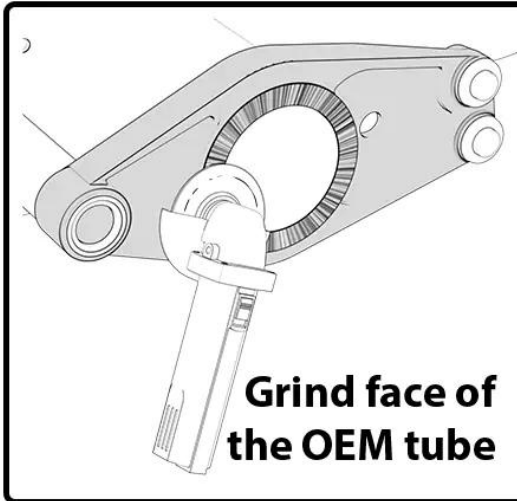
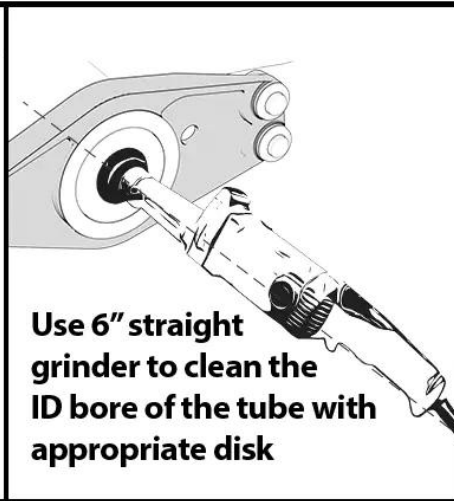
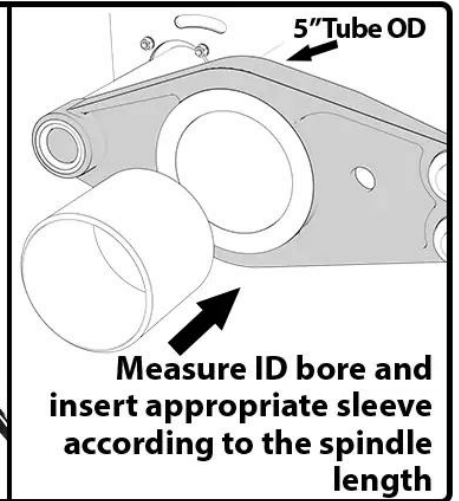
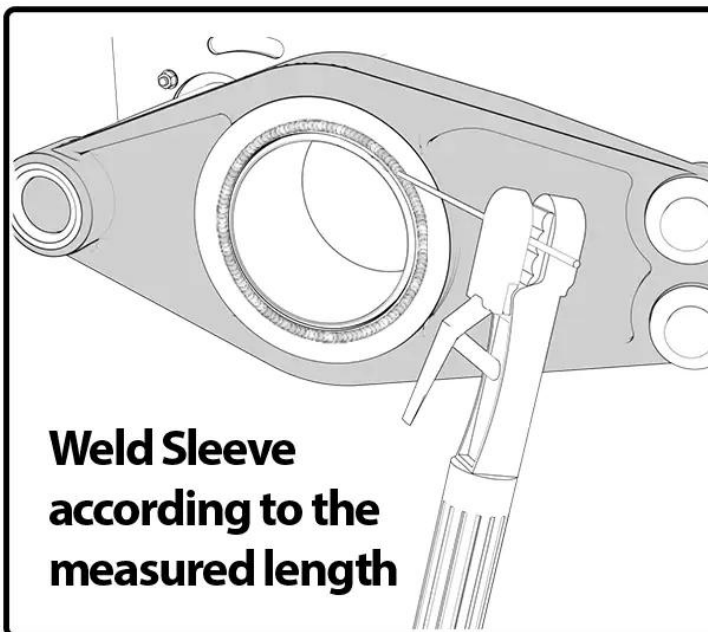
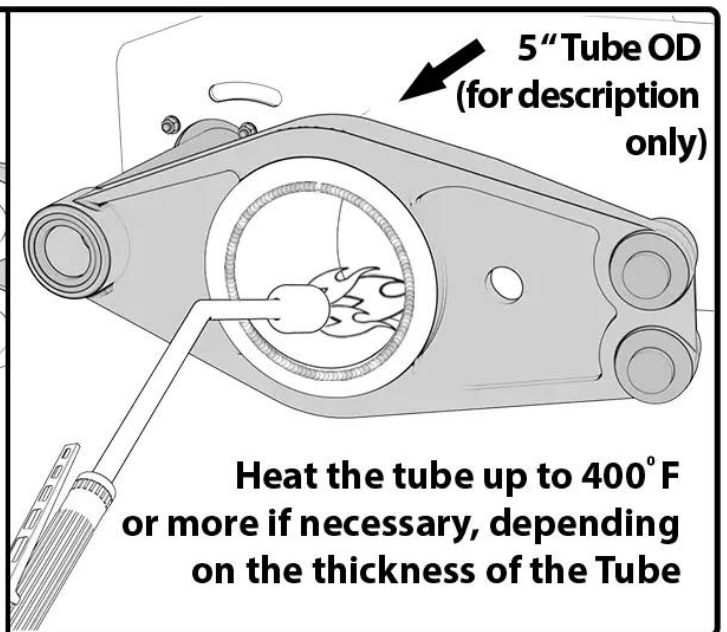


**Cut off spindle  
according to measured length**

\*THESE INSTRUCTIONS ASSUME THAT THE NECESSARY SURFACE PREPARATION FOR THE INSTALLATION SURFACES HAS ALREADY BEEN COMPLETED.

\*\*THE DISPLAYED STEPS ARE BRIEF ILLUSTRATIONS (IMAGERY GENERATED BY COMPUTER) AND DO NOT INCLUDE THE REQUISITE SURFACE PREPARATION AND THE REMOVAL OF THE OLD SPINDLE. AFTER EACH STEP, REQUISITE CLEANING AND GRINDING ARE REQUIRED (NOT DISPLAYED HERE IN THIS INSTRUCTIONAL MANUAL). REMOVAL OF OTHER COMPONENTS ALREADY MOUNTED ONTO THE AXLE ASSEMBLY IS NECESSARY FOR INSTALLATION. THIS INSTALLATION REQUIRES SPECIAL SKILLS AND EXPERTISE.

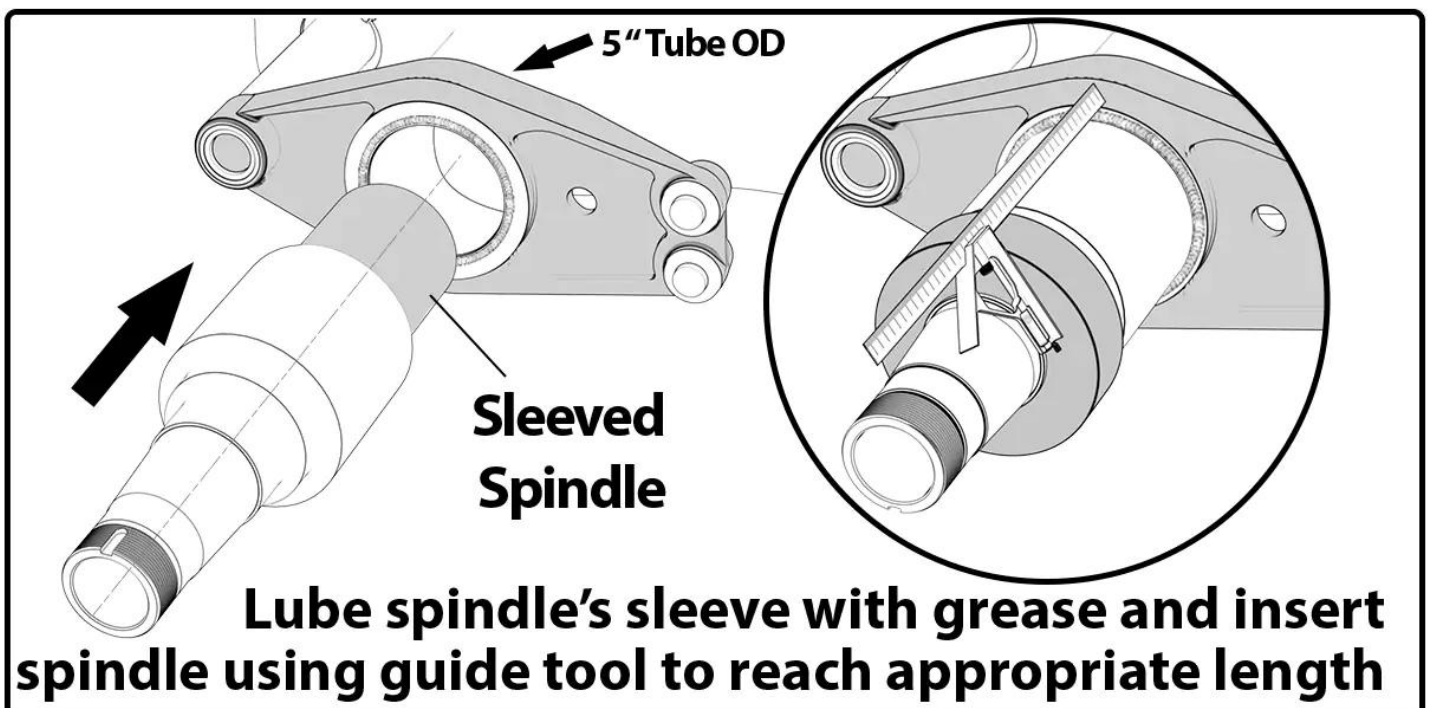
CONTACT OUR PRODUCT SUPPORT LINE 24/7 AT TOLL-FREE +1 877-486-7668, OR USA +1 716-336-4734.

**3****4****5****6****7**

**5" axle sleeves are always inserted in axle tube's first**

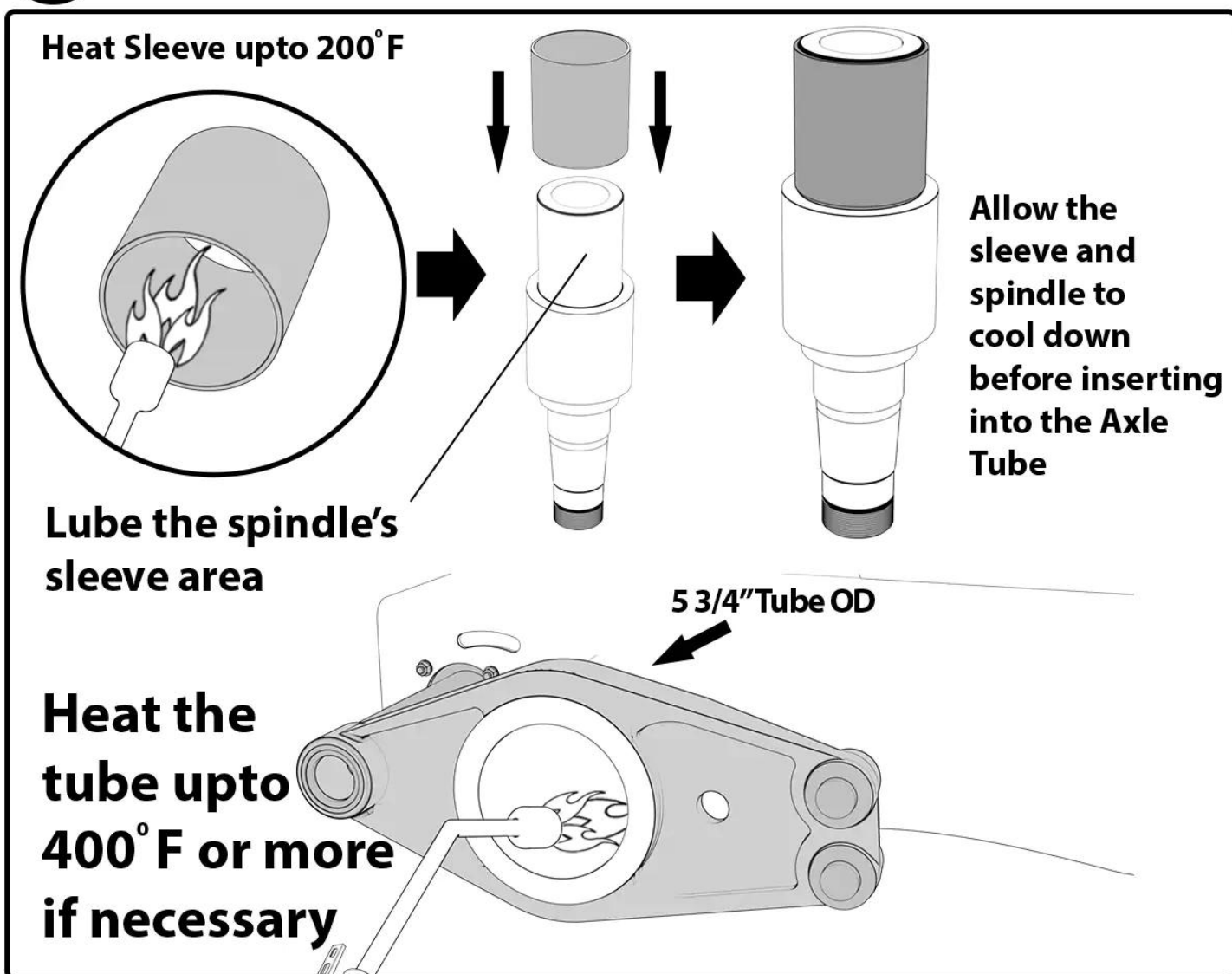
**8a**

THE SPINDLE SURFACE IS COATED WITH ANTI RUST OIL THAT CAN ACT AS SKIN IRRITANT. USE OF PROTECTIVE GLOVES ARE REQUIRED. 



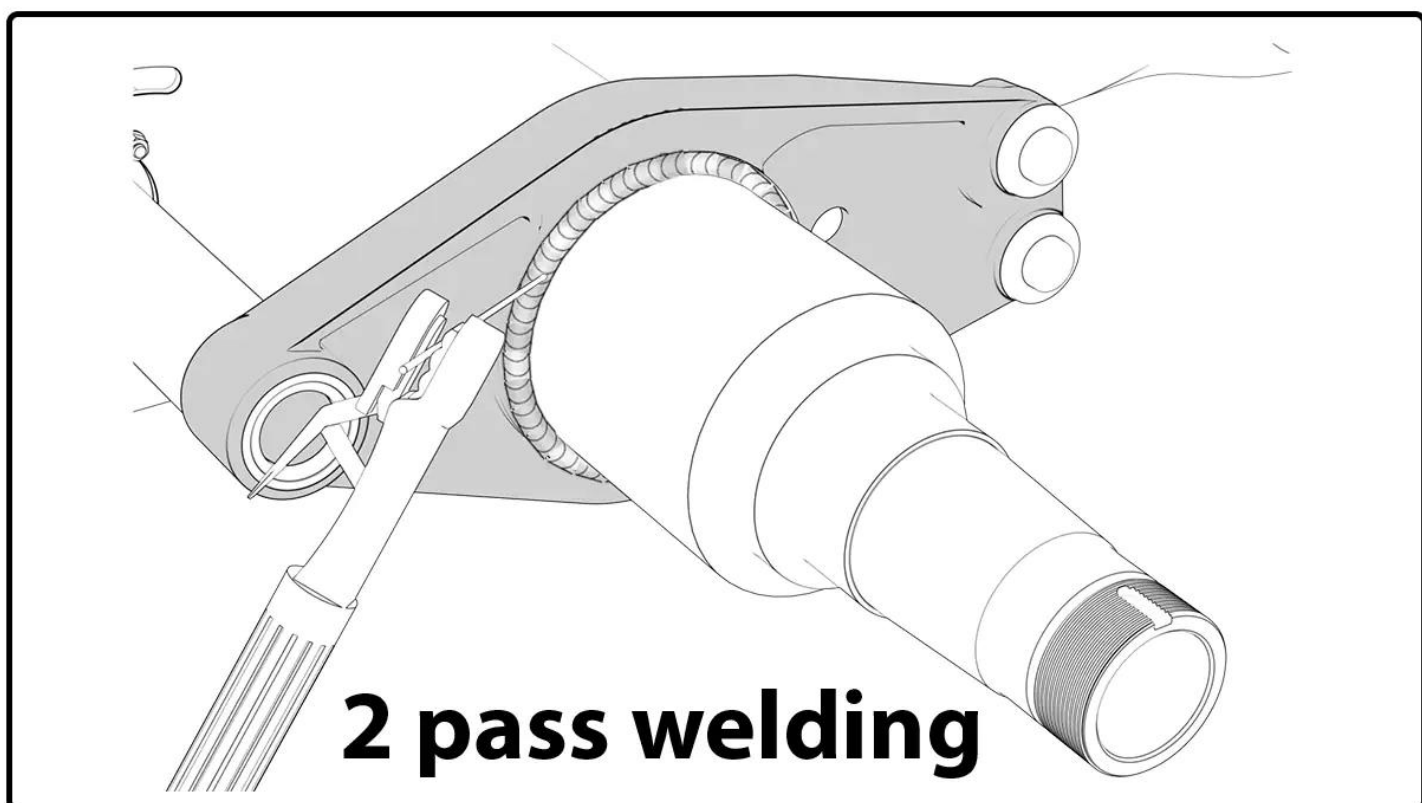
**8b**

MAKE SURE THAT THE SURFACES ARE FREE FROM ANY DIRT OR DEBRIS BEFORE HEATING 

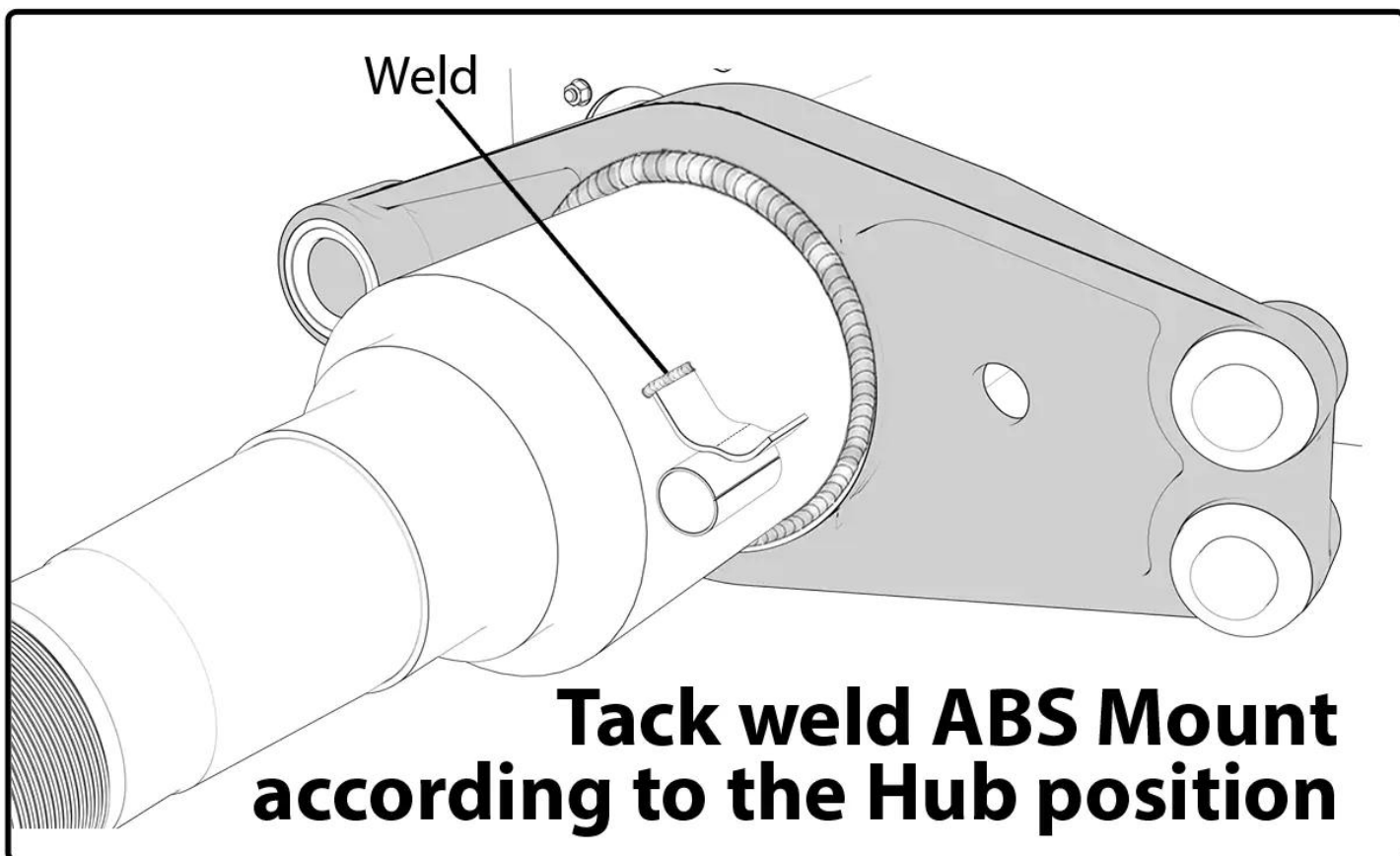


**5 3/4" axle sleeves are inserted on spindle first after heating up the sleeve**

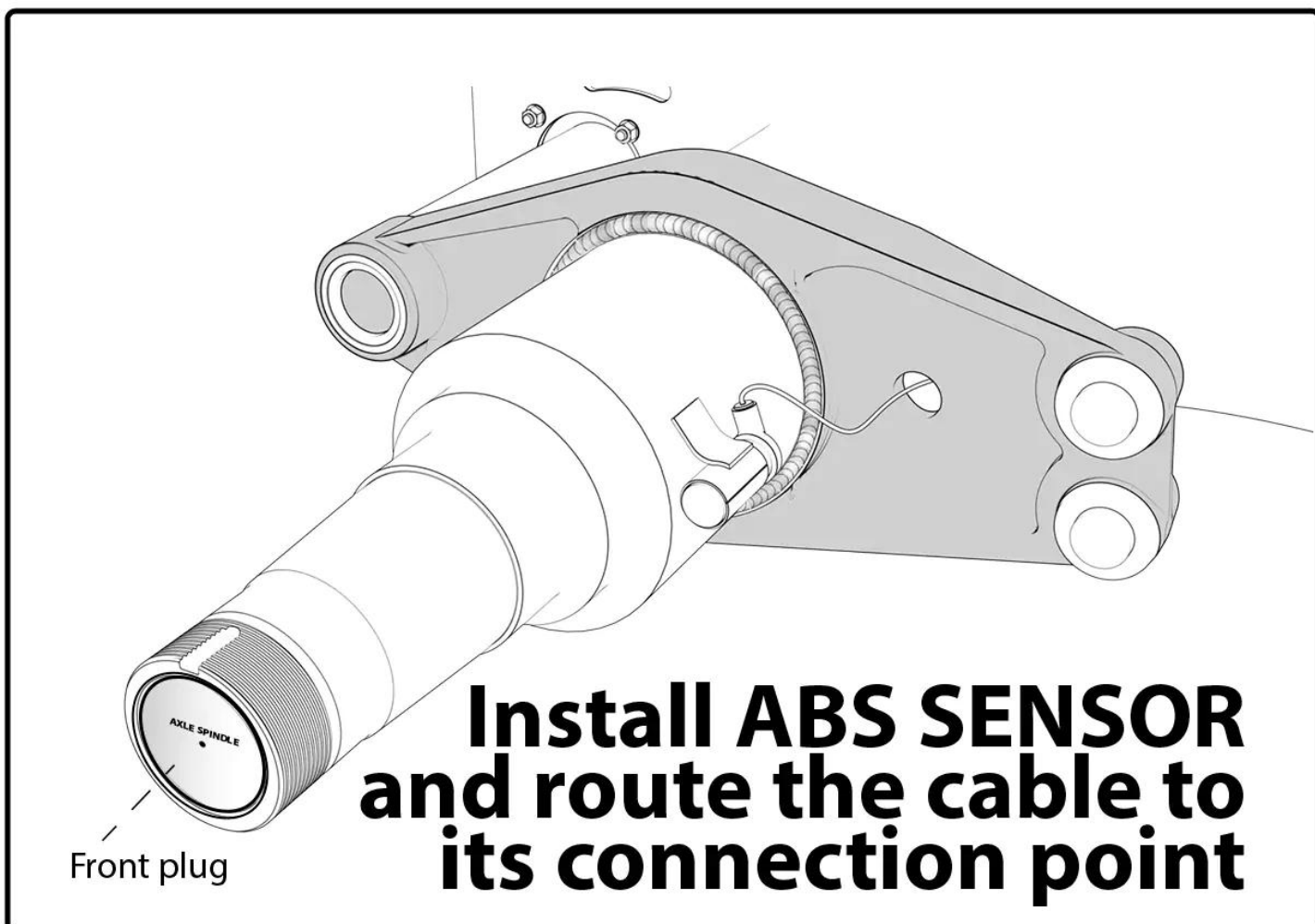
**9**



**10**



**11**



\*This manual does not substitute our product demonstration or expertise in the installation. Users must have proper knowledge before attempting the installation.



# IMPORTANT NOTICE

The manual provides a concise summary of the installation steps and highlights important considerations. However, due to the complexity and variations in individual circumstances, it is possible that additional factors, specific to your situation, may need to be taken into account. Therefore, it is essential to exercise caution, adhere to safety guidelines, and consult Axle Spindle Inc.

By using this manual, you acknowledge and accept that the information provided is not exhaustive and that the Axle Spindle Inc. cannot be held responsible for any errors, omissions, or damages resulting from the use or misuse of the information contained herein. User assumes full responsibility for their actions and should exercise caution.

**WARNING:**  
BEFORE BEGINNING ANY INSTALLATION, ALWAYS  
CHECK THE CURRENT VERSION OF THE INSTRUCTION  
MANUAL ON OUR WEBSITE

## FOR MORE INFORMATION **CONTACT US**

TOLL FREE: +1-877-486-7668

USA: +1-716-336-4734

[service@axlespindle.com](mailto:service@axlespindle.com)

[axlespindle.com](http://axlespindle.com)

COPYRIGHT ©2023 AXLE SPINDLE

VERSION- 1.0, DEC 2023 (SUBJECT TO CHANGE ANYTIME)

Document ID. TS01

